

APPLICATIONS

- Industrial



DESCRIPTION

The 21Y product line is outstanding due to its extreme ruggedness towards electromagnetic fields. The 21Y product line is outstanding due to its extreme ruggedness towards electromagnetic fields.

TECNICAL FEATURES

Pressure ranges (II intermediate ranges possible)

PR-21Y	2...30 bar FS
PAA-21Y / PA-21Y	2...1000* bar FS
Overpressure	2 x pressure range , max. 1100 bar

PAA: Absolute. Zéro at vacuum.

PA: Sealed gauge. Zero at 1000 mbar abs.

PR: Vented gauge. Zero at atmospheric pressure.

*Measuring range >600 bar only suited for static applications

Accuracy ¹⁾		Typ. $\pm 0,25$ % FS	max. $\pm 0,5$ % FS
Total error band ²⁾	0...50°C	max. $\pm 1,0$ % FS	
	-10...80°C	max. $\pm 1,5$ % FS	

¹⁾ Linearity (best fitted straight line)+Hysteresis+Repeatability

²⁾ Accuracy + temperature coefficient + zero+ span tolerance

Storage-/Operating temperature	-40 ... 100 °C	
Stability	PR-Version	max. $\pm 0,5$ % FS
	PAA/PA-Version	max. $\pm 0,3$ % FS

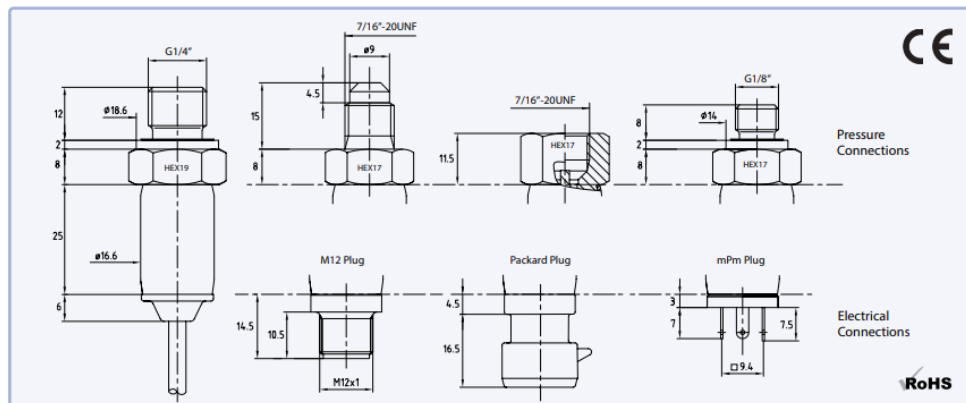
Type	2-wires	3-wires	3-wires
Signal output	4...20 mA	0...10 V	0,5...4,5 V
Limitation signal output	3,2...22,3 mA	-1,2...11,2 V	0,1...4,9 V
Supply	8...32 VDC	13...32 VDC	8...32 VDC
Load resistance	< (U-8 V) / 0,025 A	>5 k Ω	>5 k Ω
Limiting Frequency	2 kHz	2 kHz	2 kHz
Power of consumption		max. 5 mA	max. 4 mA
Electrical connection	<ul style="list-style-type: none"> - Plug: M12 (4-pole), Packard, mPm - Cable (max. 80°C) 		
Pressure connection	G1/4 " male, G1/8 " male, 7/16"-20 UNF male & female		
Response time (supply on)	(0...99 %) < 5 s		
Isolement	>10 M Ω @ 300 VDC		
EMC	EN 61000-6-2 : 2005 / EN 612000-6-3 : 2007 / EN 61326-2-3 : 2006		
Dead volume change	< 0,1 mm ³		
Material in media contact	<ul style="list-style-type: none"> - Stainless steel AISI type 316L (DIN 1.4404/1.4435) - Viton® seal external (-20...200°C, no internal seal) 		

CI21Y

Protection class	M12/Packard-plug: IP67 ³⁾ (with corresponding mating plug) mPm-plug: IP65 ³⁾ (with corresponding mating plug) Cable: IP54 (option IP67with standard length 2m)
Weight	≈ 38 g (G1/8") ≈ 50 g (G1/4")
Endurance	> 10 million cycles 0...100 %FS at 25 °C
Oil filling	Silicone oil

³⁾with PR version IP54

STANDARD DIMENSIONS



OPTIONS

Temperature range	Other temperature ranges on request. Maximal range: -40 ...+120 °C
Oil Filling	Fluorocarbon oil (O ₂ -comptatible), olive-oil, lowest temperature oil (-55°C)
Pressure connection, electrical connection	Others on request

SPHEREL Systems reserves the right to make any kind of design or functional modification at any moment without prior notice.