

## APPLICATIONS

- Silos, tanks or hoppers weighing.
- Reactors weighing,
- Industrial force measurement where space is limited.



## DESCRIPTIONS

- Material: Stainless steel
- Protection class: IP97
- Low design
- Cost-effective solution
- Sturdy design
- Easy to install
- Whole range of mounting kits available
- Cable length: 6 m

**TECHNICAL FEATURES**

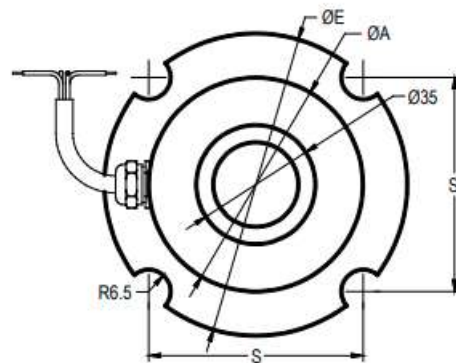
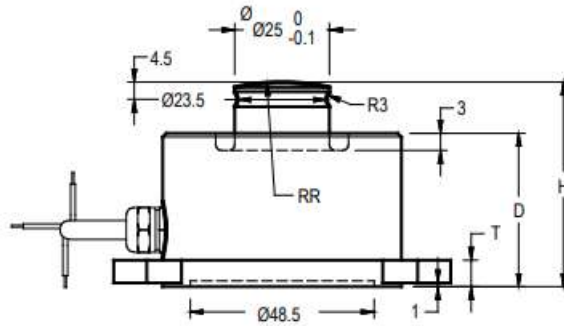
Capacities: (0.3) - 0.5 - (0.75) - 1 - (1.5) - 2 - 3 - 5 - 7.5 - 10 - 15 - 20\*\* †

<b>Accuracy class</b>	0.5 % F.S.	0.25 % F.S.	0.1 % F.S.	
<b>Combined error (non-linearity-hysteresis)</b>	<± 0.25	<± 0.25	<± 0.1	% F.S.
<b>Repeatability error</b>	<± 0.25	<± 0.1	<± 0.03	% F.S.
<b>Creep error over 30 min.</b>	<± 0.2	<± 0.1	<± 0.06	% F.S.
<b>Reference temperature</b>	23	23	23	°C
<b>Compensated temperature range</b>	-10...+45	-10...+45	-10...+45	°C
<b>Service temperature range</b>	-25...+70	-25...+70	-25...+70	°C
<b>Storage temperature range</b>	-50...+85	-50...+85	-50...+85	°C
<b>Temperature coefficient of the sensitivity</b>	<± 0.1	<± 0.05	<± 0.05	%F.S./10°C
<b>Temperature coefficient of zero signal</b>	<± 0.1	<± 0.035	<± 0.035	%F.S./10°C
<b>Nominal sensitivity</b>	1.5	1.5	1.5	mV/V
<b>Sensitivity tolerance</b>	<± 0.5	<± 0.3	<± 0.3	%
<b>Input resistance</b>	700 ± 2	700 ± 2	700 ± 2	ohm(s)
<b>Output resistance</b>	700 ± 2	700 ± 2	700 ± 2	ohm(s)
<b>Insulation resistance (50 V)</b>	>5000	>5000	>5000	Mohm(s)
<b>Reference excitation voltage</b>	10	10	10	VDC
<b>Permissible nominal range of excitation voltage</b>	3..12	3..12	3..12	VDC
<b>Safe load limit</b>	150	150	150	% F.S.
<b>Breaking load</b>	> 300	> 300	> 300	% F.S.
<b>Permissible dynamic loading</b>	40	40	40	% F.S.
<b>Static lateral force limit</b>	10	10	10	% F.S.

\* F.S.: Full Scale

\*\* : 5950-20t only available with 0.5 % accuracy class.

STANDARD DIMENSIONS



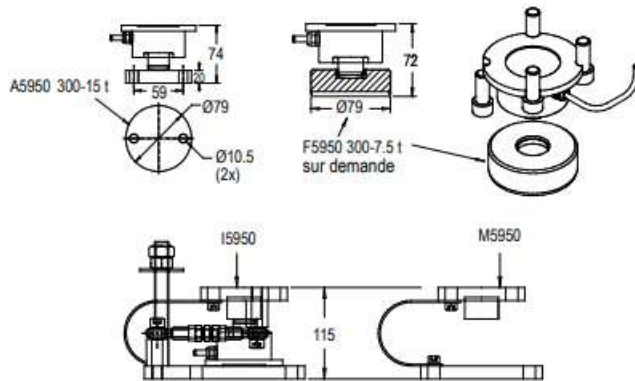
ORDER CODE

Ref. Item	Capacities	ØA	D	H	S	T	ØE	RR	Max. Deflexion (mm)	Weight (kg)
5950-A	0.3 - 5 t	54.5	38.5	54	62.9	7	89	60	0.04 - 0.07	±1.4
5950-B	7.5 - 15 t	59	38.5	54	62.9	7	89	60	0.08 - 0.15	±1.4
5950-C	20 t	59	38.5	54	62.9	7	89	60	0.2	±1.4

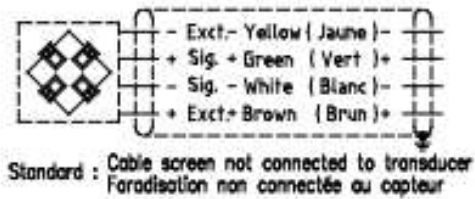
Dimensions in mm

OTHERS

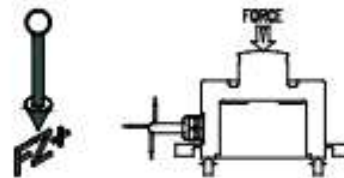
- Accessoires



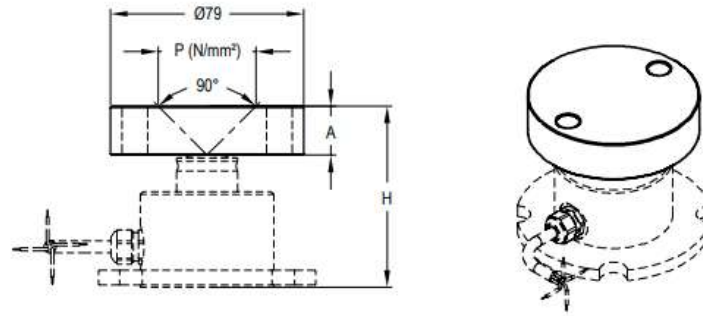
- Wiring



- Load direction



A5950 STANDARD DIMENSIONS



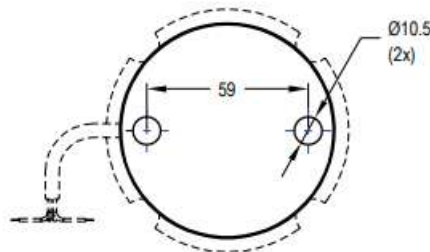
ORDER CODE

Ref. Item*	Capacities	A	H	P N/mm²	Weight (kg)
A5950-AB	0.3 - 15 t	20	74	± 120 (15 t)	± 0.76
A5950-C	20 t	25	79	± 100	± 0.95

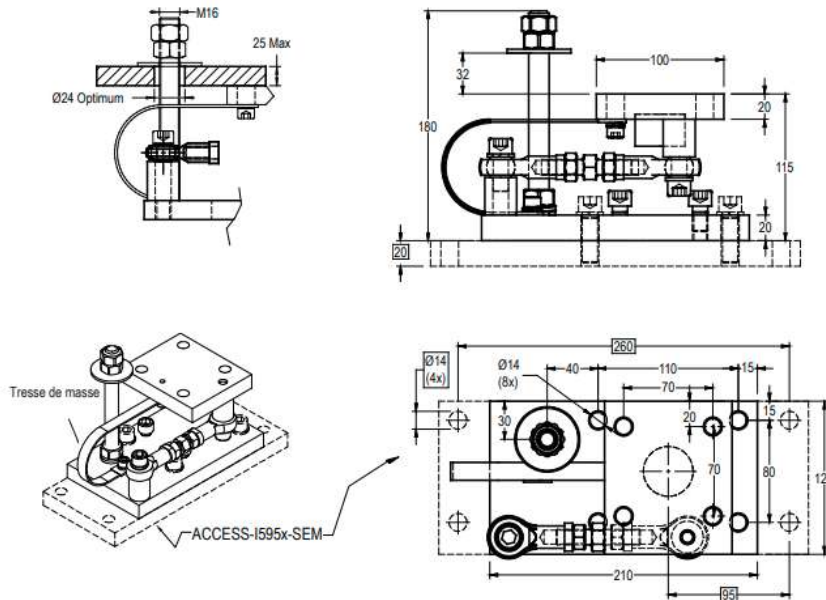
\*Material: stainless steel

Dimensions in mm

OTHERS



I5950 STANDARD DIMENSIONS

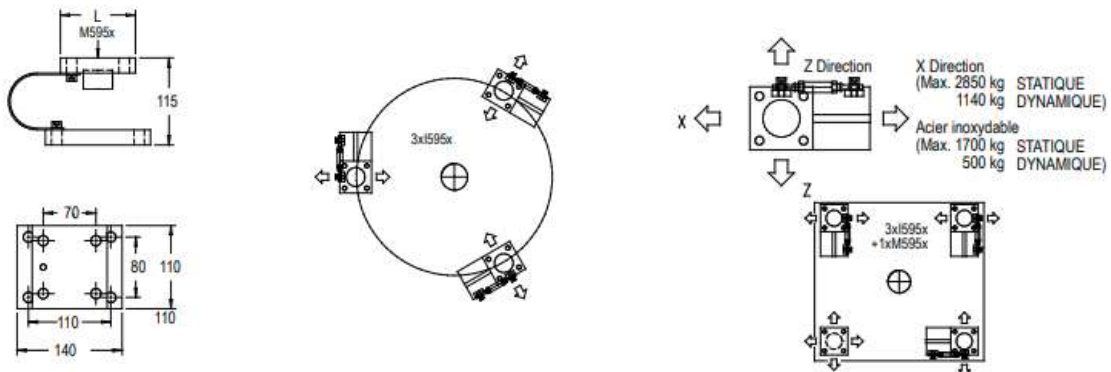


ORDER CODE

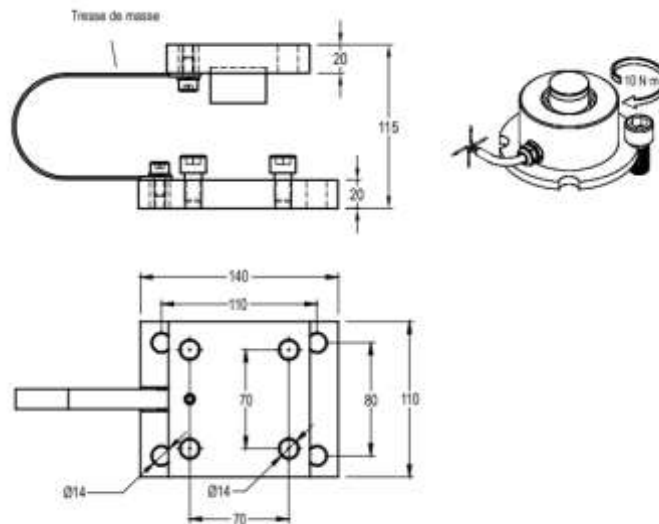
Ref. Item*	Capacities
I595x-A	0.3 - 20 t
*x=Material: I5950 - stainless steel; I5955 - alloy steel	

Dimensions en mm

OTHERS



M5950 STANDARD DIMENSIONS



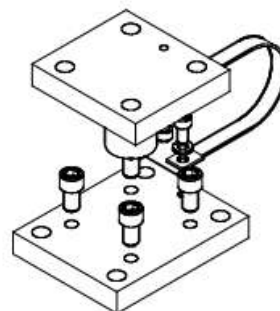
ORDER CODE

Ref. Item*	Capacities
M595x-A	0.3 - 20 t

\*Material: M5950 - stainless steel; M5955 - alloy steel

Dimensions in mm

OTHERS



SPHEREL Systems reserves the right to make any kind of design or functional modification at any moment without prior notice.